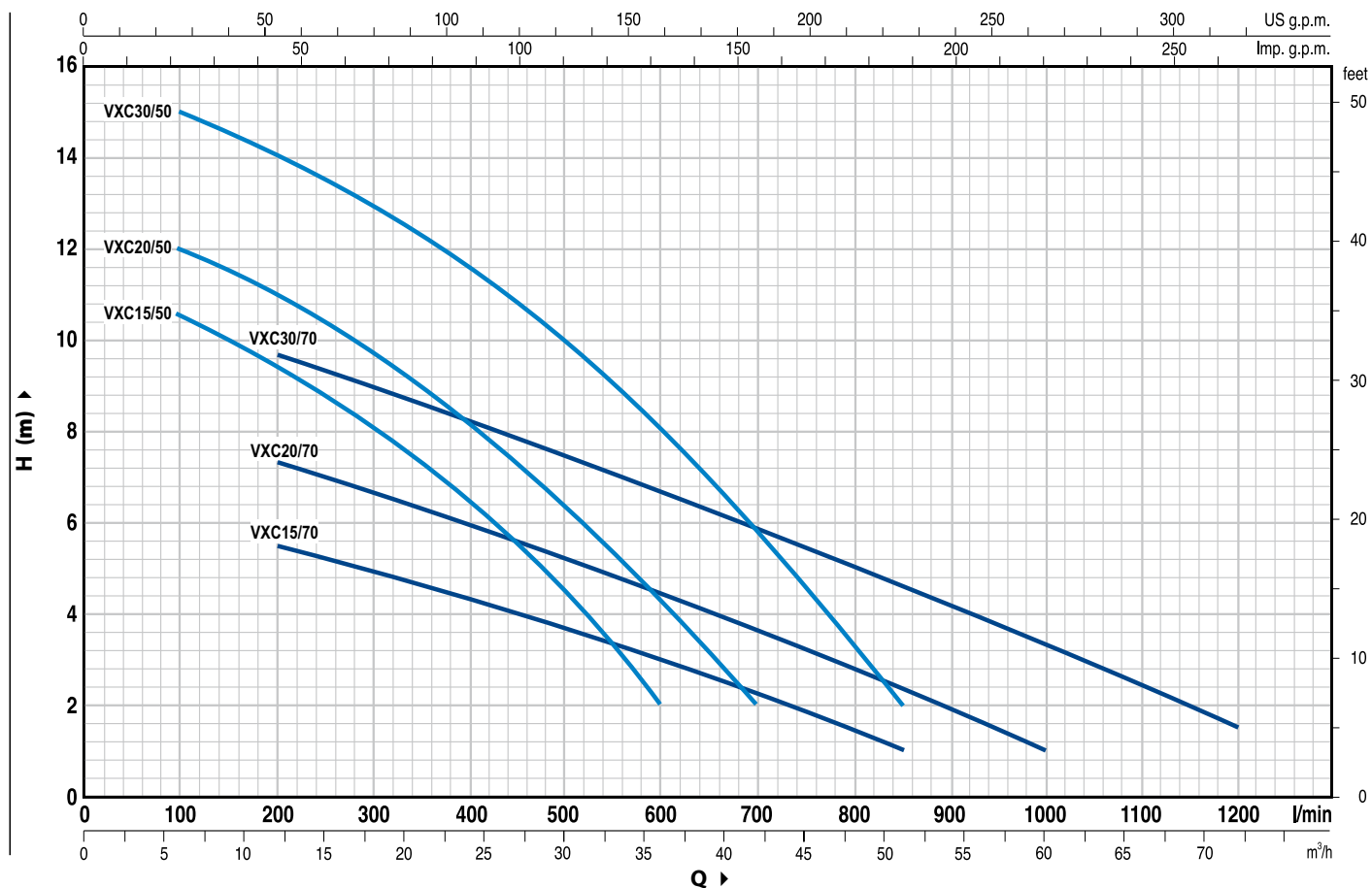


CURVE E DATI DI PRESTAZIONE / CURVES AND PERFORMANCE DATA

n= 2900 1/min

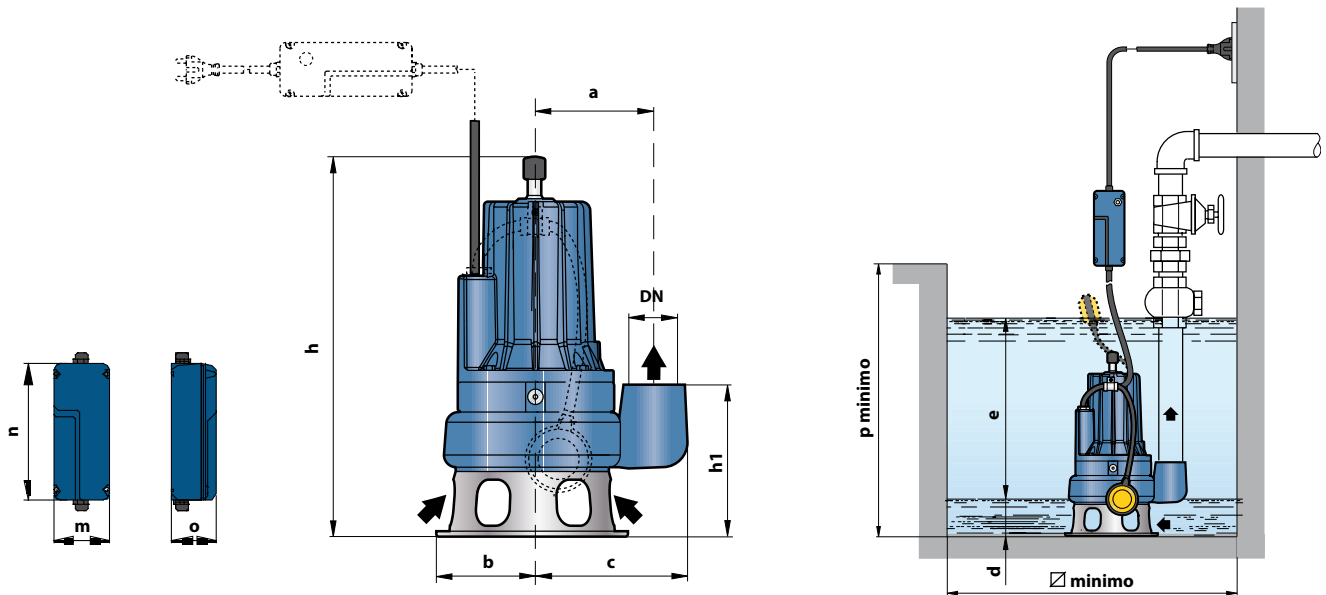


MODELLO TYPE		POTENZA POWER		Q	H (m)																
1 ~	3 ~	kW	HP		m³/h	0	6	12	18	21	24	30	36	42	48	51	54	60	66	72	
				l/min	0	100	200	300	350	400	500	600	700	800	850	900	1000	1100	1200		
VXCm 15/50	VXC 15/50	1.1	1.5	H (m)	11.5	10.5	9.5	8.2	7.2	6.5	4.5	2									
VXCm 20/50	VXC 20/50	1.5	2		13	12	11	9.5	9	8	6.5	4.5	2								
VXCm 30/50	VXC 30/50	2.2	3		16	15	14	13	12.3	11.5	10	8	5.9	3.3	2						
VXCm 15/70	VXC 15/70	1.1	1.5		6.5	-	5.5	5	4.7	4.4	3.7	3	2.2	1.5	1						
VXCm 20/70	VXC 20/70	1.5	2		8.5	-	7.4	6.7	6.3	6	5.2	4.5	3.6	2.8	2.4	2	1				
VXCm 30/70	VXC 30/70	2.2	3		11	-	9.7	9	8.6	8.2	7.5	6.7	5.8	5	4.6	4.2	3.3	2.5	1.5		

Q = Portata H = Prevalenza manometrica totale
Q = Flow rate H = Total manometric head

Tolleranza delle curve di prestazione secondo EN ISO 9906 App. A.
Tolerance of the performance curves according to EN ISO 9906 App. A.App. A.

DIMENSIONI E PESI / DIMENSIONS AND WEIGHTS



TIPO TYPE		BOCCA PORT DN	passaggio corpi solidi passage of solid bodies	DIMENSIONI mm DIMENSIONS mm													kg	
1~	3~			a	b	c	h	h1	m	n	o	d	e	p	Ø	1~	3~	
VXCm 15/50	VXC 15/50	2 1/2"	Ø 50 mm	162	135	212	490	188	81	200	85	75	regolabile adjustable	800	800	33.3	31.0	
VXCm 20/50	VXC 20/50						500/490					34.8				33.3		
VXCm 30/50	VXC 30/50						530					40.7				34.8		
VXCm 15/70	VXC 15/70	3"	Ø 70 mm	180	150	240	530	230	81	200	85	85	regolabile adjustable	800	800	38.9	36.6	
VXCm 20/70	VXC 20/70						540/530					40.8				38.9		
VXCm 30/70	VXC 30/70						47.0					41.1						